

# SPDT 18GHz

## Failsafe / Latching



### ◆ RF Features

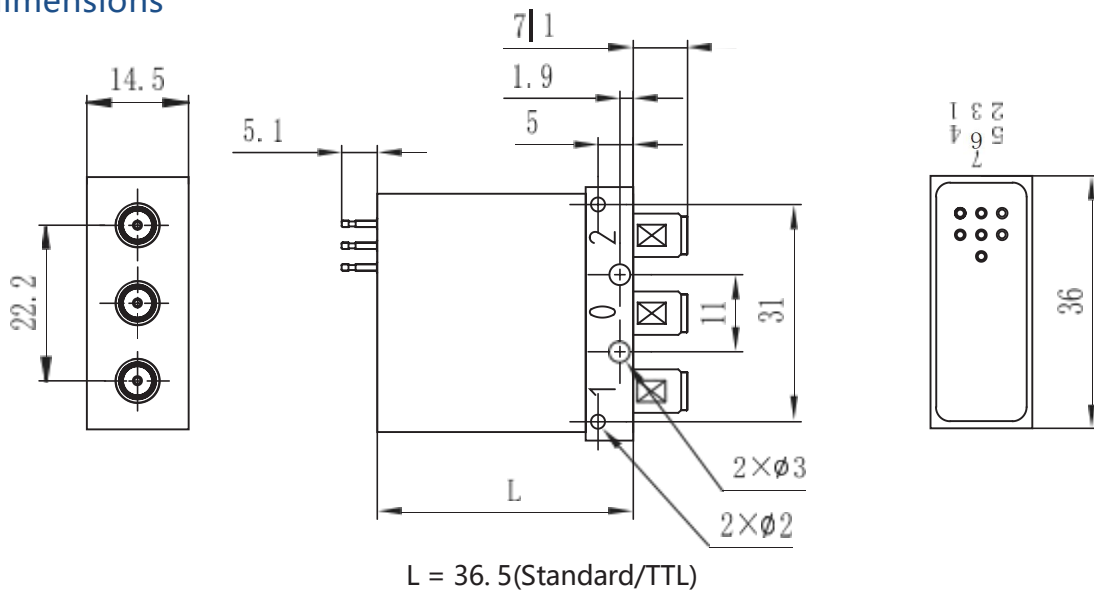
RF Range (GHz)	Insertion loss (dB)	Isolation (dB)	Standing wave
DC-6	0.2	70	1.2
6-12	0.3	70	1.3
12-18	0.4	60	1.4

### ◆ Operating voltage/current

Operating voltage (V)		12	24	28
Current(mA)	Failsafe	195	100	95
	Latching	230	140	120

\* The voltage can be selected according to user's requirements.

### ◆ Product dimensions



### ◆ Product features

- DC to 18GHz
- Low SWR, low loss, high isolation
- Connector form SMA
- TTL level control is selectable

### ◆ Technical specifications

Switching sequence: first break and then close  
 Switching life: 2 million times  
 RF connector: SMA Female  
 Control interface: terminal

Impact (non-working state): 30G, 1/2 Sine, 11ms  
 Vibration (operating state): 20-2000Hz, 10GRMS

Switching rate: <15ms

Operating temperature:

-25°C~65°C (standard)

-55°C~85°C(Temperature expansion)

# SPDT 26.5GHz

## Failsafe / Latching



### ◆ RF Features

RF Range (GHz)	Insertion loss (dB)	Isolation(dB)	Standing wave
DC -6	0.2	70	1.2
6 -12	0.3	70	1.3
12 -18	0.4	60	1.4
18 -26.5	0.6	55	1.6

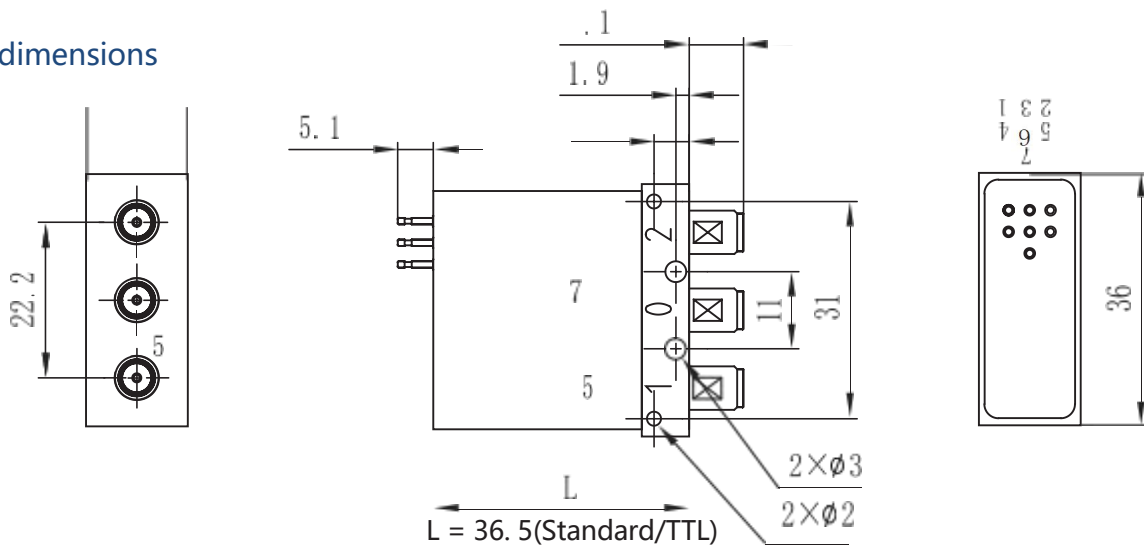
### ◆ Product features

- DC to 26.5Hz
- Low SWR, low loss, high isolation
- Connector form SMA
- TTL level control is selectable

### ◆ Operating voltage/current

Operating voltage (V)	12	24	28	
Current(mA)	Failsafe	195	100	95
	Latching	230	140	120

### ◆ Product dimensions



### ◆ Technical specifications

Switching sequence: first break and then close

Switching rate: <15ms

Operating temperature:

-25°C~65°C (standard)

-55°C~85°C(Temperature expansion)

Switching life: 2 million times

RF connector: SMA Female

Control interface: terminal

Impact (non-working state): 30G, 1/2 Sine, 11ms

Vibration (operating state): 20-2000Hz、10G RMS



# SPDT 50GHz

## Failsafe / Latching

### RF Features

RF Range(GHz)	Insertion loss (dB)	Isolation (dB)	Standing wave
DC -6	0.2	70	1.2
6 -12	0.3	70	1.3
12 -18	0.4	60	1.4
18 -26.5	0.6	55	1.6
26.5 - 32	0.7	50	1.7
32 - 40	0.8	50	1.8
40 - 50	0.9	45	1.9



### ◆ Product features

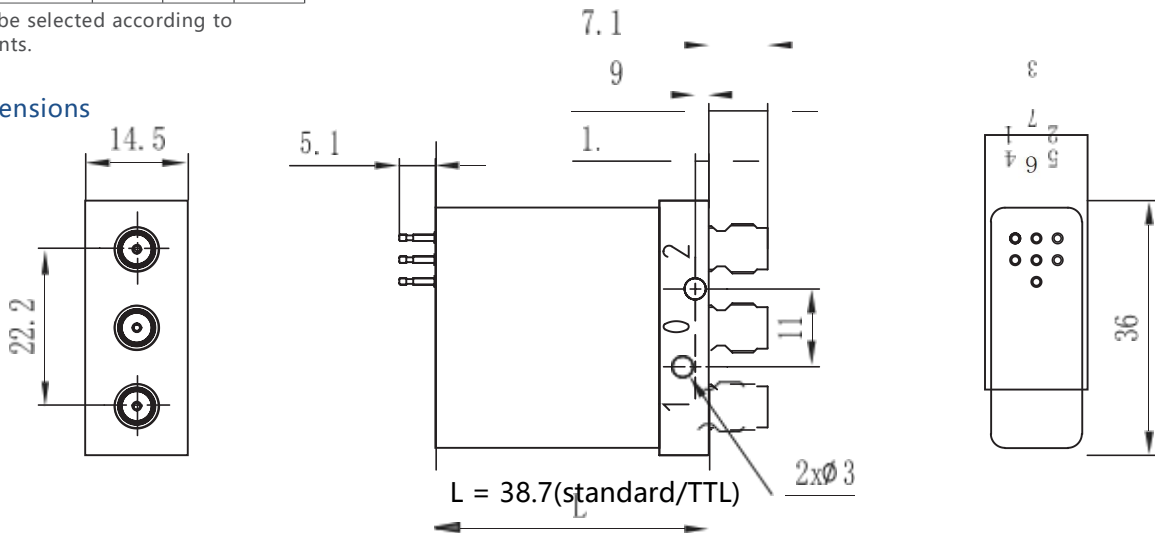
- DC to 18GHz
- Connector form SMA
- TTL level control is selectable

### ◆ Operating voltage/current

Operating voltage (V)		12	24	28
Current(mA)	Failsafe	195	100	95
	Latching	230	140	120

The voltage can be selected according to user's requirements.

### ◆ Product dimensions



### ◆ Technical specifications

Switching sequence: first break and then close

Switching rate: <15ms

Operating temperature:

-25°C~65°C (standard)

-55°C~85°C(Temperature expansion)

Switching life: 2 million times

RF connector: 2.4 Female

Control interface: terminal

Shock (non-working state): 30G, 1/2 Sine, 11ms

Vibration (operating state): 20-2000Hz, 10GRMS

# SPDT 67GHz

## Failsafe / Latching

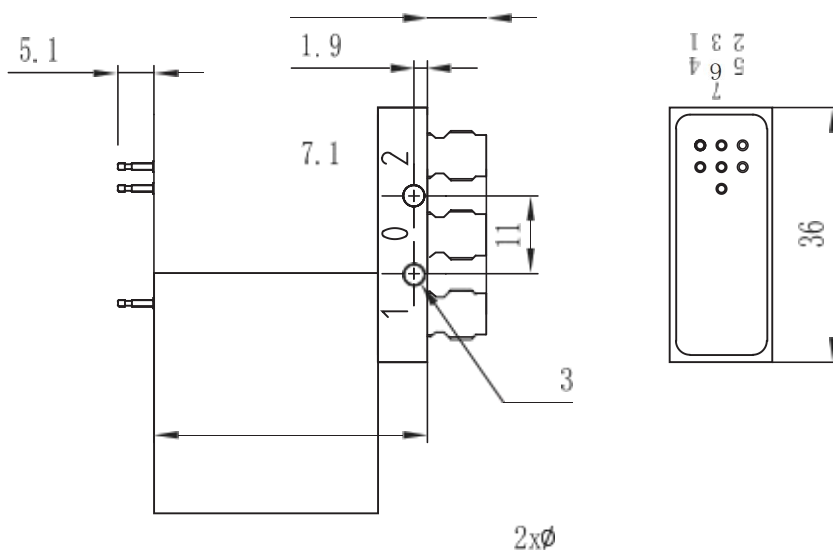
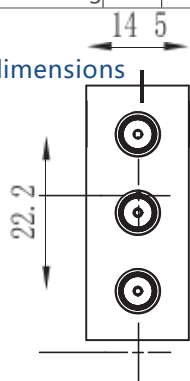
### ◆ RF Features

RF Range (GHz)	Insertion loss (dB)	Isolation (dB)	Standing wave
DC -6	0.2	70	1.2
6 -12	0.3	70	1.3
12 -18	0.4	60	1.4
18 -26.5	0.6	55	1.6
26.5 - 32	0.7	50	1.7
32 - 40	0.8	50	1.8
40 - 50	0.9	45	1.9
50 - 67	1.2	40	2.2

### ◆ Operating voltage/current

Operating voltage (V)		12	24	28
Current(mA)	Failsafe	195	100	95
	Latching	230	140	120

### ◆ Product dimensions



### ◆ Product features

- DC to 50Hz
- Connector form 2.4
- TTL level control is selectable

### ◆ Technical specifications

Switching sequence: first break and then close

Switching life: 2 million times

RF connector: 1.85 Female

Control interface: terminal

Switching rate: <15ms

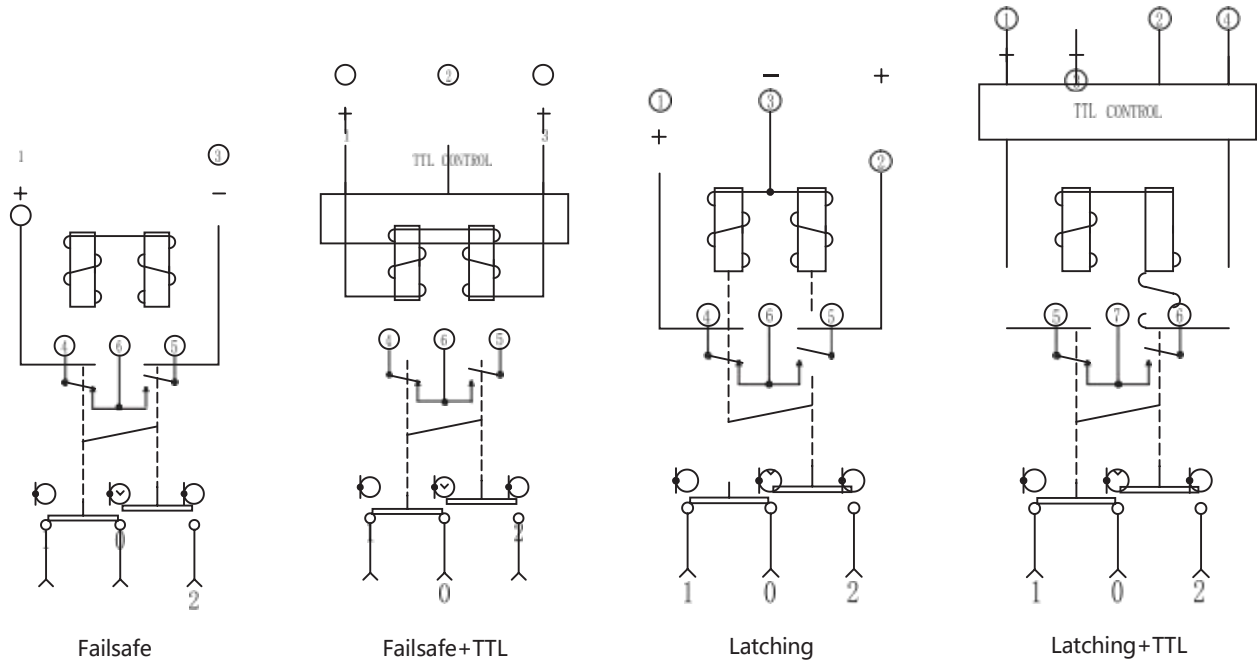
Operating temperature:

-25°C~65°C (standard)

-55°C~85°C(Temperature expansion)

Shock (non-working state): 30G, 1/2 Sine, 11ms

Vibration (operating state): 20-2000Hz, 10GRMS



Switching method		RF Channel	Pin definition	
			Pin	
			Motivation	Feedback
Failsafe	NO TTL	0→1	NC	6→4
		0→2	1:VDC, 3:GND	6→5
	TTL	0→1	NC	6→4
		0→2	1:VDC, 3:GND , 2:TTL	6→5
Latching	NO TTL	0→1	1:VDC, 3:GND	6→4
		0→2	2:VDC, 3:GND	6→5
	TTL	0→1	1:VDC, 3:GND , 2:TTL	6→4
		0→2	1:VDC, 3:GND , 4:TTL	6→5